

# EUROVIEW

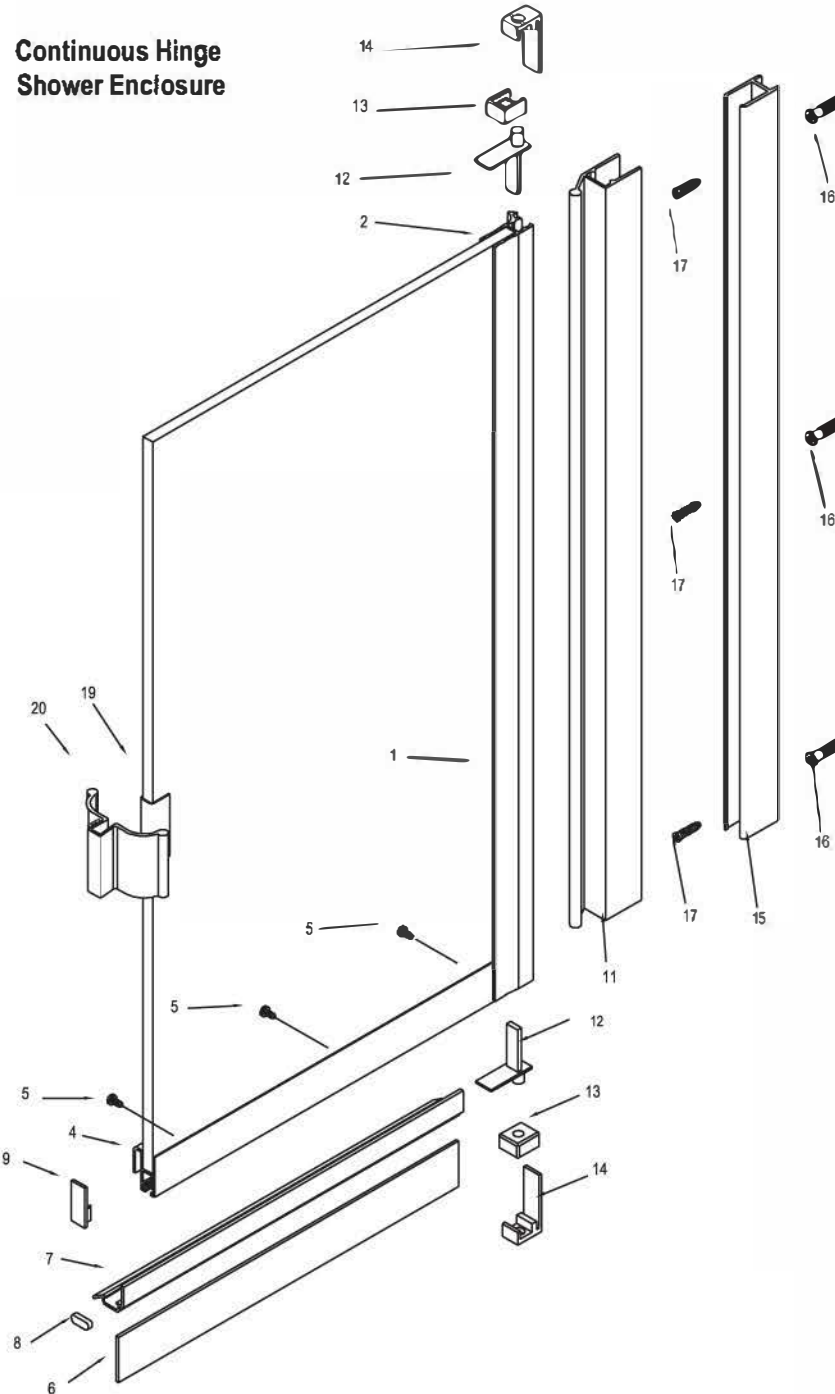
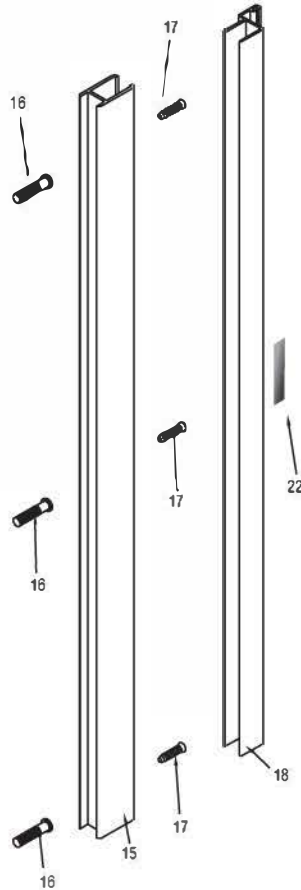
FRAMELESS GLASS ENCLOSURES

## Installation Instructions

Model **IMST**

When ordering repair parts, please give the following information:

1. Model Number
2. Part Number
3. Part Description
4. Color



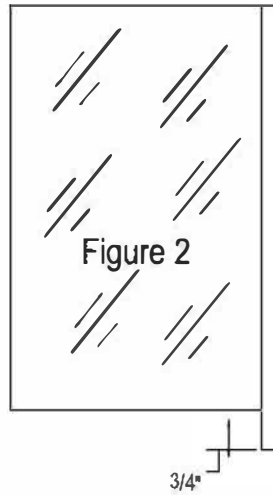
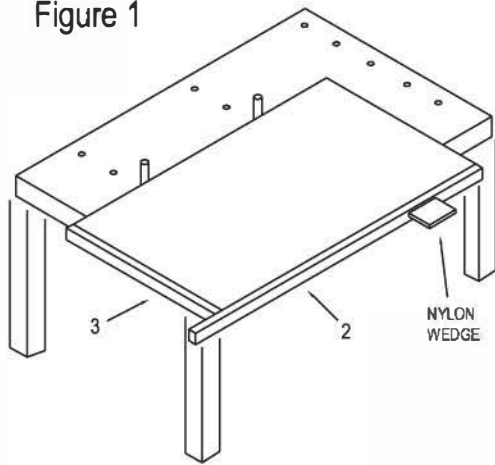
### IMST Assembly Instructions

To assemble your shower enclosure, you will need the following:

- Phillips Screwdriver
- Silicone
- Hack Saw
- Glazing Block
- Hammer
- Side Cutters

Description	Qty	Part No.	Picture
1. Glazing Vinyl	1	ZV-925	
2. Hinge Rail with Vinyl	1	ZD-2503	
3. Glazing Vinyl Bottom Rail	1	ZV-903	
4. Bottom Rail	1	ZD-1002	
5. #6 x 1/4" Screws	3	#6 x 1/4	
6. Splash Vinyl	1	ZV-904	
7. Drip Trough	1	ZD-1008	
8. Drip Plug	1	ZV-905	
9. Bottom Rail End Cap	1	ZV-940	
10. Hinge Jamb Sleeve Vinyl	1	ZV-955	
11. Hinge Jamb	1	ZD-2505	
12. Hinge Pins	2	ZV-945	
13. Hinge Bushings	2	ZD-1013	
14. Hinge Clips	2	ZD-1009	
15. Wall Channels	2	ZD-1006	
16. Wall Anchors	6	ZV-935	
17. #6 x 1 1/4" Screws	6	#6 x 1 1/2	
18. Latch Jamb w/ V-908 Vinyl	1	ZD-1004	
19. 3" Handle Vinyl	1	ZV-91	
20. 3" Door Pull	1	ZD-2011	
21. #6 x 3/8" Screws	6	#6 x 3/8	
22. Magnetic strip clasp	1		
<u>Optional Mag Catch</u>			
20. 3" Mag Door Pull	1	MAG 4011-3	
22. Mag Channel	1		
23. #6 x 1/4	2	6 x 1/4	

Figure 1



**Note:** Assembly of a hinge-left door is shown in Figure 1. For a hinge-right door, place bottom rail assembly at opposite end.

1. Lay glass flat, smooth side up on assembly table (Figure 1) and bracing glass on far side as shown so hinge rail can be driven into place. Apply hinge rail glazing channel (1) to edge of glass nearest you. Start vinyl 5/8" up from the bottom of the glass and cut flush with the top of glass.

2. The hinge jamb and hinge rail (11 & 12) are packaged assembled. Before glazing the hinge rail (2), remove hinge jamb (11) and sleeve (10) from hinge rail. Failure to do so will cause damage to metal while glazing and result in the door hinge binding. Hold hinge rail in place against vinyl with a glazing block and glaze using hammer. Hinge rail should extend 3/4" below bottom of glass (Figure 2) and be straight from end to end.

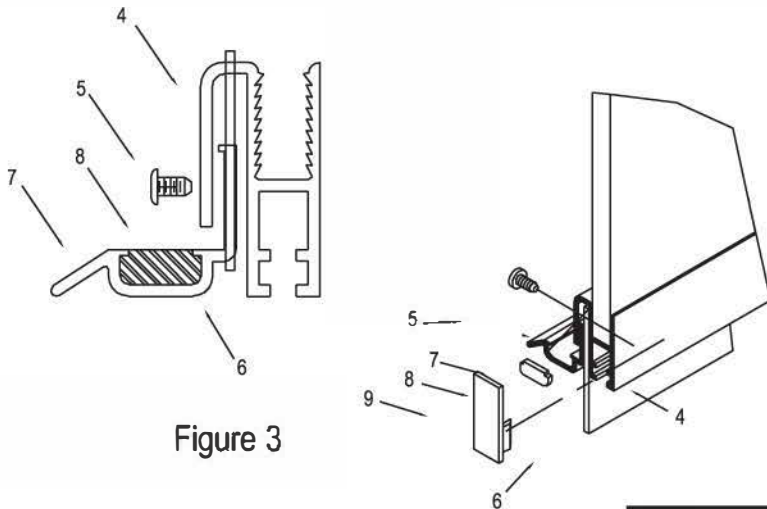


Figure 3

3. Apply bottom glazing vinyl (3) to the bottom of the glass. Hold bottom rail (4) in place against the bottom glazing channel and drive the bottom rail in place on the glass using the glazing block and a heavy steel hammer. Secure hinge rail to bottom rail using one #8 x 1 1/2" FH SMS screw. Start three #6 x 1/4" SMS B screws (5) into the bottom rail. Insert the splash vinyl (6) and the drip trough (7) into the bottom rail. Splash vinyl should flush off with latch end of bottom rail and butt to offset of the hinge rail at the other end. Flush-off drip trough with notchback on bottom rail at latch side. Push drip trough as far up as possible on latch side and as low as possible on hinge side and secure by tightening the three #6 x 1/4" SMS B screws (5).

4. Insert the drip plug (8) into the end of the drip trough at the handle side. Water should now drain back into the shower when the door is open. Insert the bottom rail end cap (9) in the end of the bottom rail (4) (See Figure 3).

5. Set hinge bushing (13) in place over the hinge clip (14) and push the hinge pin (12) into the hinge bushing. Drive the clip with the bushing and pin into the bottom end of the hinge jamb (See Figure 4). Slip the hinge jamb sleeve (10) over ball of hinge jamb. Place the hinge jamb with sleeve, clip, bushings and pin in place inside the hinge rail. (Screw holes in hinge jamb to the inside of door.) Slip the second pin in place in the hinge rail at the top of the door, place the bushing over the clip and drive the clip into the jamb securing the pin to the bushing.

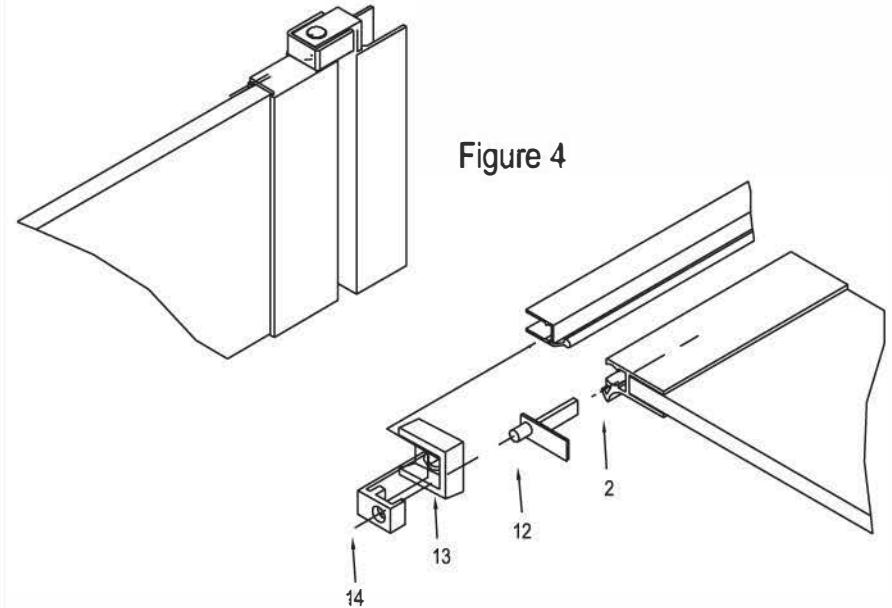
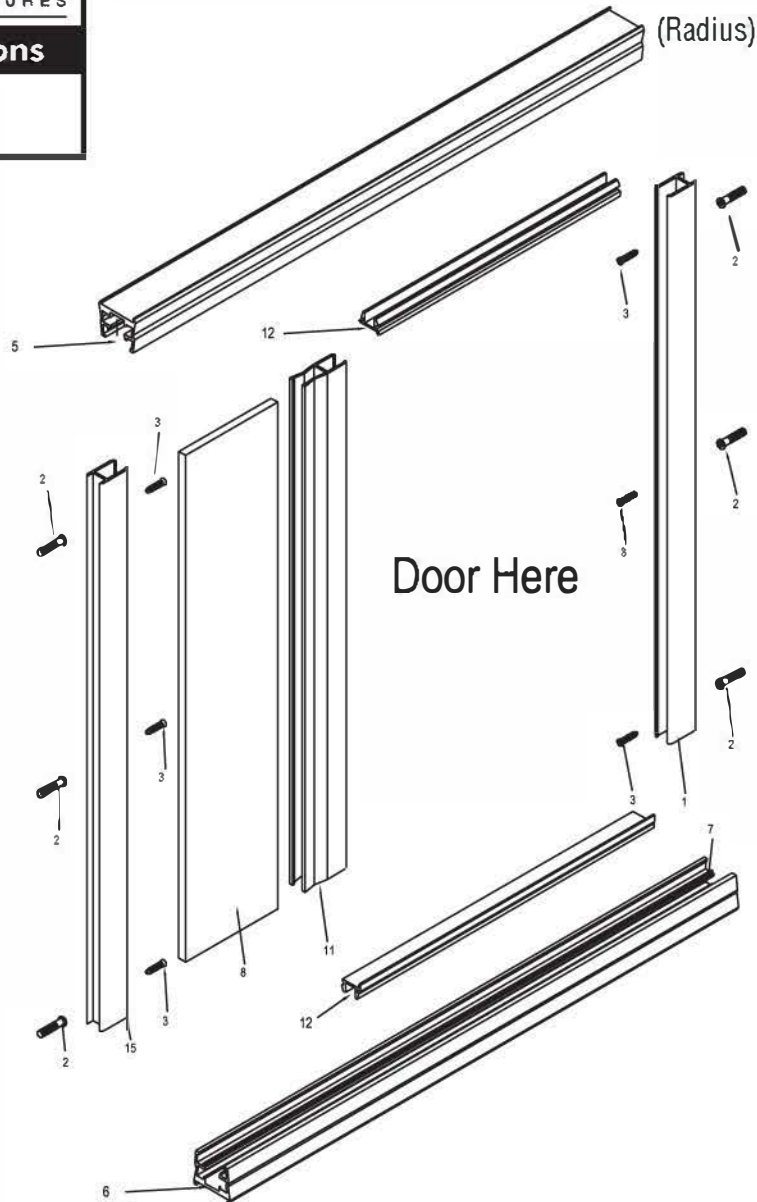


Figure 4



Installation Instructions

Model **IMST-I**



When ordering repair parts, please give the following information:

1. Model Number
2. Part Number
3. Part Description
4. Color

To install your shower enclosure, you will need the following:

- Level
- #31 Drill Bit
- Glazing Block
- Hack Saw
- 3/16" Carbide Drill Bit (for the tile walls)
- Phillips Screwdriver
- Silicone

\*Note: Numbers 1, 2 & 3 come with door stall wrap

Description	Qty	Part No.	Picture
1. Wall Channels*	2	ZD-1006	
2. Wall Anchors*	6	ZV-935	
3. #8 x 1 1/4" Screws*	6	#8 x 1 1/4"	
4. #6 x 3/8 Screws	8	#6 X 3/8"	
5. Headers (Radius)	1	ZSS-2101	
6. Curbs	1	ZSS-3101	
7. Glass Support Blocks	1	ZV-902	
8. In-Line Glass Panel	1		
9. Vertical Seal Vinyl	4	ZV-909	
10. Horizontal Seal Vinyl	4	ZV-906	
11. In-Line Post	1	ZSS-1103	
12. Header and Curb Filers	2	ZSS-1102	

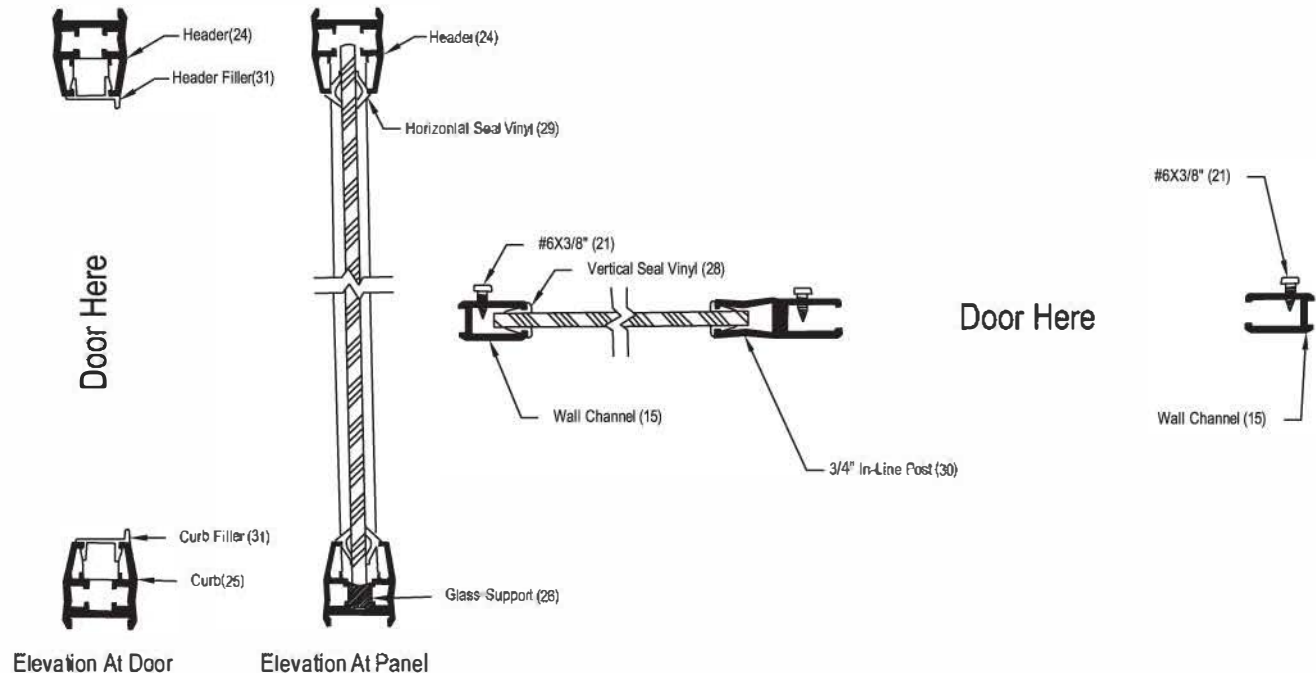
**NOTE:** Wall channels (1), wall anchors (2) and screws (3) that are used in stall shower installation, are shipped with the shower door. Read both door and stall instructions before starting installation.

1. Cut curb (6) to desired length. Place parallel with front of threshold and mark location with a pencil.
2. Place wall channel (1) into curb on stationary panel side and mark through holes provided in wall channel.
3. Place other wall channel (1) into curb on door side and mark through bottom hole only, then remove wall channel.
4. Drill marked holes using a 3/16" bit, then plug with plastic wall anchors (2).
5. Run a 1/4" bead of silicone on underside of curb and fill both ends of curb with silicone. Also silicone where ends of curb will sit on the threshold.
6. Set curb back in place with weep holes to inside of unit. Place wall channels (1) back into curb and secure using #8 X 1 1/4" (3)
7. Place glass support block in curb on fixed panel side. Place fixed panel in curb, moving it all the way into the wall channel. Tack in place at the top of the panel with vertical seal vinyl (9).
8. Cut header (5) to size and place in position.
9. Find minimum measurement for curb filler on chart, and place the inline post that distance away from door side wall channel. Check the plumb of the wall on the door side and note how much the wall is out. If the wall leans to the center, then add this length to the curb filler, or if it is leaning away from center, add it to the header filler. Never exceed the minimum or maximum measurements for the curb filler for the door size, as noted in chart. Move the inline post so the measurements for the header and curb fillers are now corrected for wall conditions. This should leave the inline post in a plum condition. Cut filler to size and snap in place with 1/8" lip to outside.
10. Now check that the daylight opening between the inline post and the fixed panel wall channel is no larger than panel size-(1/2") and smaller than panel size -(1 1/2"). If daylight opening does not fall with in these tolerances, then adjust inline post to correct. Remember that the min. and max. of the curb fillers (or daylight opening) must not be exceeded.

**(Refer to Shower Door Installation Instructions.)**

11. Snip excess vinyl from latch jamb, and crimp in place at top and bottom. Holding inline post, slip latch jamb into place.
12. Install 3" vinyl channel, centered vertically on edge of glass and tap handle in place.
13. Set door (with hinge jamb attached) over door wall channel. The hinge clip on the door should be sitting on the curb filler. Pull door to latch jamb, aligning them by moving hinge side of door back and forth at top where you are holding it. This movement moves wall channel and header too. After aligning glass and latch jamb, hold wall channel and mark along inside edge of wall channel with a pencil.
14. Remove door and place wall channel back in position on line, and mark holes on wall. Drill holes, insert anchors, then secure wall channel with #8 X 1 1/4".
15. Reinsert door with hinge jamb over wall channel. Plumb and adjust as you had previously decided to do using length of header and curb filler for adjustment. Door in final position should have 3/16" margin from edge of glass to latch jamb. After locating this position, secure hinge jamb to wall channel by drilling #31 hole through holes provided and secure with #6 X 3/8".
16. Secure In-Line post (11) to curb (6) using the same system.
17. Parallel header with top of door by raising header on wall channel at either side and secure in-line post and wall channels to header on inside using #6 3/8".
18. Make final adjustments with latch jamb and secure to in-line post with #6 X 3/8" (4)
19. Finish installing the vertical seal vinyl (9) in wall channel and then in the in-line post. Also install horizontal seal vinyl (10) at bottom and top of stationary panel, both inside and out.
20. Adjust splash vinyl on bottom of door so that approximately 1/8" daylight space remains between bottom of splash vinyl and curb filler (12) with the door in the closed position.
21. Install magnet on to latch jamb.
22. Seal along inside and outside edge of metal and tile with silicone.

Header & Curb Fillers		
Min. Filler=Door Size-1 7/8"		
Max. Filler=Door Size-1 7/8"		
Model Number	Min.	Max.
CD-20	18 1/8"	19 1/8"
CD-21	19 1/8"	20 1/8"
CD-22	20 1/8"	21 1/8"
CD-23	21 1/8"	22 1/8"
CD-24	22 1/8"	23 1/8"
CD-25	23 1/8"	24 1/8"
CD-26	24 1/8"	25 1/8"
CD-27	25 1/8"	26 1/8"
CD-28	26 1/8"	27 1/8"
CD-29	27 1/8"	28 1/8"
CD-30	28 1/8"	29 1/8"
CD-31	29 1/8"	30 1/8"
CD-32	30 1/8"	31 1/8"
CD-33	31 1/8"	32 1/8"
CD-34	32 1/8"	33 1/8"
CD-35	33 1/8"	34 1/8"
CD-36	34 1/8"	35 1/8"



# EUROVIEW

FRAMELESS GLASS ENCLOSURES

## Installation Instructions

Model **IMST-I**

**Buttress Application**

