

# EUROVIEW

FRAMELESS GLASS ENCLOSURES

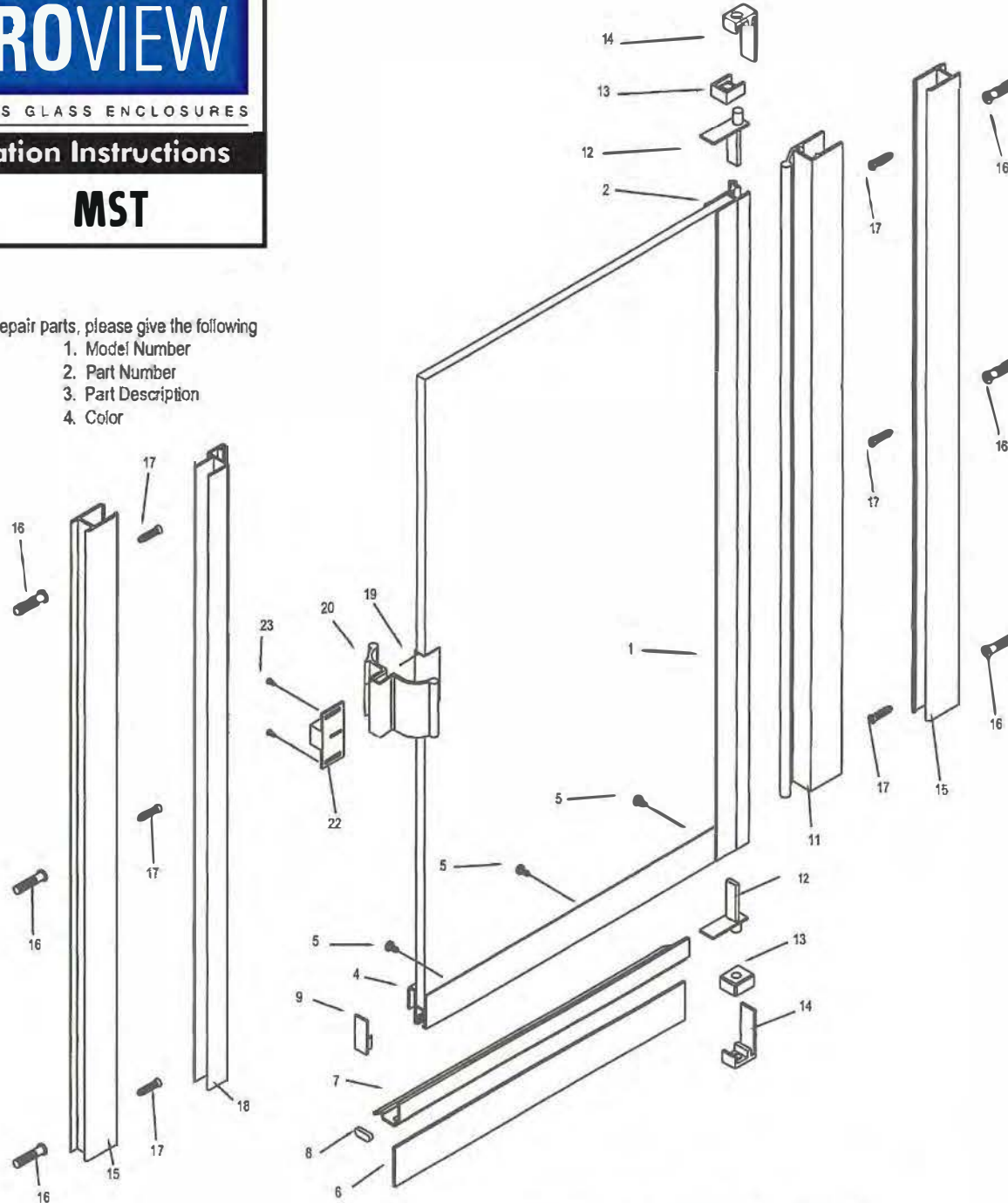
## Installation Instructions

Model

**MST**

When ordering repair parts, please give the following information:

1. Model Number
2. Part Number
3. Part Description
4. Color



## INSTALLATION INSTRUCTIONS MST

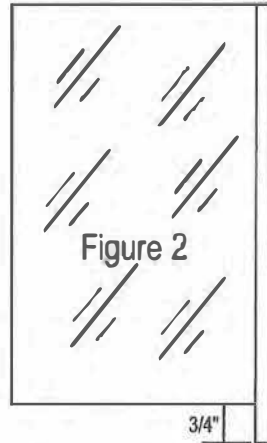
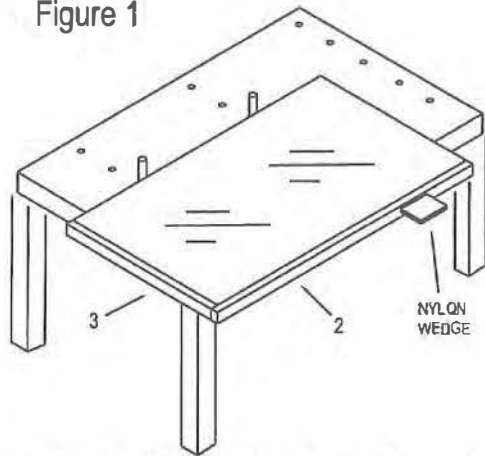
To assemble your shower enclosure, you will need the following:

- Phillips Screwdriver
- Silicone
- Hack Saw
- Glazing Block
- Hammer
- Side Cutters

Description	Qty	Part No.	Picture
1. Glazing Vinyl	1	ZV-925	
2. Hinge Rail with Vinyl	1	ZD-2503	
3. Glazing Vinyl	1	ZV-903	
4. Bottom Rail	1	ZD-2002	
5. #5 x 1/4" Screws	3	#6 x 1/4	
6. Splash Vinyl	1	ZV-904	
7. Drip Trough	1	ZD-1008	
8. Drip Plug	1	ZV-905	
9. Bottom Rail End Cap	1	ZV-940	
10. Hinge Jamb Sleeve Vinyl	1	ZV-955	
11. Hinge Jamb	1	ZD-2505	
12. Hinge Pins	2	ZV-945	
13. Hinge Bushings	2	ZD-1013	
14. Hinge Clips	2	ZD-1009	
15. Wall Channels	2	ZD-1006	
16. Wall Anchors	6	ZV-935	
17. #8 x 1 1/2" Screws	6	#8 x 1 1/2	
18. Latch Jamb w/ V-905 Vinyl	1	ZD-1004	
19. 3" Handle Vinyl	1	ZV-914	
20. 3" Door Pull			
21. #6 x 3/8" Screws	6	#6 x 3/8	
22. Box Catch			
23. 6-32 x 3/16" Screws			
24. #8 x 1 1/2" FH Screw	1	#8 x 1 1/2	
<u>Optional Mag Catch</u>			
20. 3" Mag Door Pull	1	MAG 4011.3	
22. Mag Channel	1		
23. #6 x 1/4	2	#6 x 1/4	

MST Assembly Instructions

Figure 1



**Note:** Assembly of a hinge-right door is shown in Figure 1. For a hinge-left door, place bottom rail assembly at opposite end.

1. Lay glass flat, smooth side up on assembly table (Figure 1) and bracing glass on far side as shown so hinge rail can be driven into place. Apply glazing channel (1) to one long, and short edge of glass.

2. Hold the hinge rail (2) in place against vinyl channel with 3/4" extending beyond end of glass, at bottom (see Figure 2). Using a block of hardwood and a heavy steel hammer, drive hinge rail into place on glass.

**Note:** The tolerances on glass, aluminum and vinyl may cause the hinge rail to fit too tight to drive on. In this case with a small paint brush (a small foam paint brush works well here) apply a very weak solution of liquid soap and water to the inside of the hinge rail. DO NOT use other types of lubricant or allow lubrication to get in between vinyl and glass because this may cause the glass to slide down or out of the hinge rail.

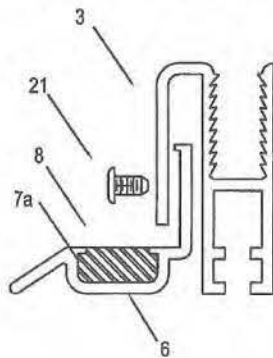
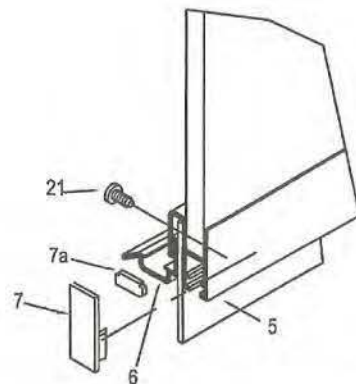


Figure 3



3. Hold bottom rail (3) in place against vinyl channel and drive into place on glass using the block of wood and hammer described above. Start three 6/32 x 3/16" screws (21) into bottom rail. Insert splash vinyl (5) and drip trough (6) into bottom rail (see Figure 3) and secure by tightening the three 6/32 x 3/16" screws (21). Keep end of drip trough 3/8" in from latch side of door. Insert drip plug (7) into end of drip channel opposite the hinge rail side.

**Note:** Drip trough should be installed so it is flush with notch in bottom rail (See Figure 3) and slopes down at the hinge rail side so water will drain back into shower when door is open.

4. Drive hinge pins, the end of pin with id. circle (8) into ends of hinge rail. Assemble hinge clips/bushings (9&11) and then insert into hinge jamb (10) See Figures 4 & 5. Drive one clip all the way in and the other half way in. Set hinge jamb with clips in place over pin and drive protruding clip into place, which secures hinge jamb to hinge rail.

