

EUROVIEW

FRAMELESS GLASS ENCLOSURES

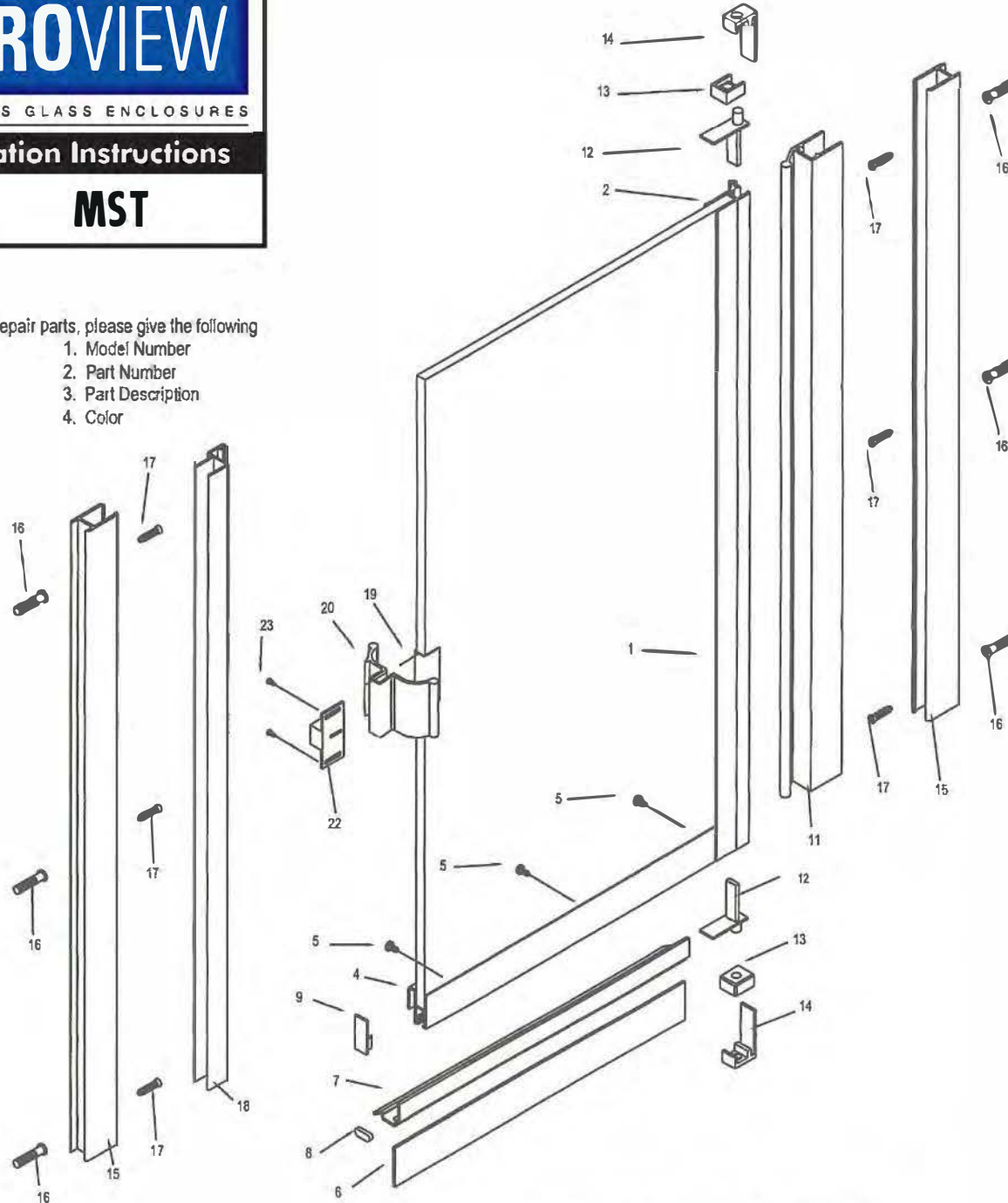
Installation Instructions

Model

MST

When ordering repair parts, please give the following information:

1. Model Number
2. Part Number
3. Part Description
4. Color



INSTALLATION INSTRUCTIONS MST

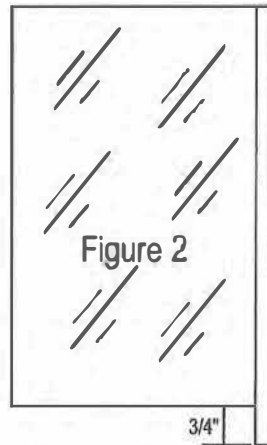
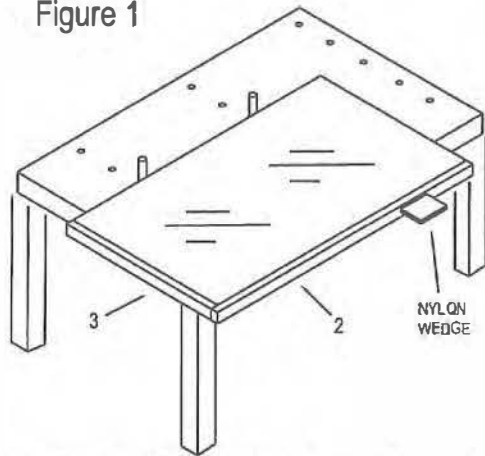
To assemble your shower enclosure, you will need the following:

- Phillips Screwdriver
- Silicone
- Hack Saw
- Glazing Block
- Hammer
- Side Cutters

Description	Qty	Part No.	Picture
1. Glazing Vinyl	1	ZV-925	
2. Hinge Rail with Vinyl	1	ZD-2503	
3. Glazing Vinyl	1	ZV-903	
4. Bottom Rail	1	ZD-2002	
5. #5 x 1/4" Screws	3	#5 x 1/4	
6. Splash Vinyl	1	ZV-904	
7. Drip Trough	1	ZD-1008	
8. Drip Plug	1	ZV-905	
9. Bottom Rail End Cap	1	ZV-940	
10. Hinge Jamb Sleeve Vinyl	1	ZV-955	
11. Hinge Jamb	1	ZD-2505	
12. Hinge Pins	2	ZV-945	
13. Hinge Bushings	2	ZD-1013	
14. Hinge Clips	2	ZD-1009	
15. Wall Channels	2	ZD-1006	
16. Wall Anchors	6	ZV-935	
17. #8 x 1 1/2" Screws	6	#8 x 1 1/2	
18. Latch Jamb w/ V-905 Vinyl	1	ZD-1004	
19. 3" Handle Vinyl	1	ZV-914	
20. 3" Door Pull			
21. #6 x 3/8" Screws	6	#6 x 3/8	
22. Box Catch			
23. 6-32 x 3/16" Screws			
24. #8 x 1 1/2" FH Screw	1	#8 x 1 1/2	
<u>Optional Mag Catch</u>			
20. 3" Mag Door Pull	1	MAG 4011.3	
22. Mag Channel	1		
23. #6 x 1/4"	2	#6 x 1/4	

MST Assembly Instructions

Figure 1



Note: Assembly of a hinge-right door is shown in Figure 1. For a hinge-left door, place bottom rail assembly at opposite end.

1. Lay glass flat, smooth side up on assembly table (Figure 1) and bracing glass on far side as shown so hinge rail can be driven into place. Apply glazing channel (1) to one long, and short edge of glass.

2. Hold the hinge rail (2) in place against vinyl channel with 3/4" extending beyond end of glass, at bottom (see Figure 2). Using a block of hardwood and a heavy steel hammer, drive hinge rail into place on glass.

Note: The tolerances on glass, aluminum and vinyl may cause the hinge rail to fit too tight to drive on. In this case with a small paint brush (a small foam paint brush works well here) apply a very weak solution of liquid soap and water to the inside of the hinge rail. DO NOT use other types of lubricant or allow lubrication to get in between vinyl and glass because this may cause the glass to slide down or out of the hinge rail.

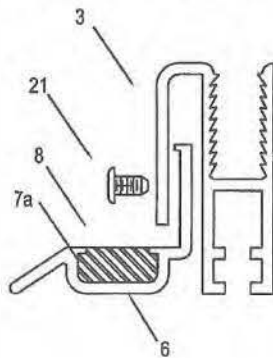
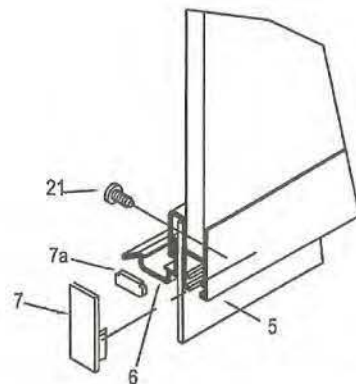


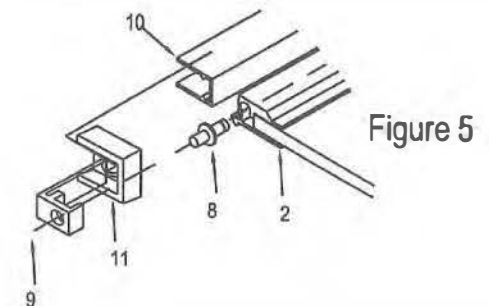
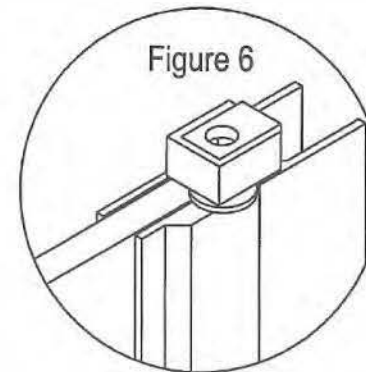
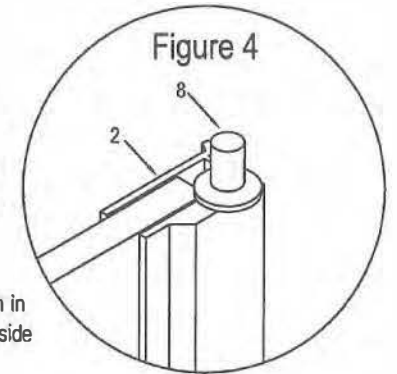
Figure 3



3. Hold bottom rail (3) in place against vinyl channel and drive into place on glass using the block of wood and hammer described above. Start three 6/32 x 3/16" screws (21) into bottom rail. Insert splash vinyl (5) and drip trough (6) into bottom rail (see Figure 3) and secure by tightening the three 6/32 x 3/16" screws (21). Keep end of drip trough 3/8" in from latch side of door. Insert drip plug (7) into end of drip channel opposite the hinge rail side.

Note: Drip trough should be installed so it is flush with notch in bottom rail (See Figure 3) and slopes down at the hinge rail side so water will drain back into shower when door is open.

4. Drive hinge pins, the end of pin with id. circle (8) into ends of hinge rail. Assemble hinge clips/bushings (9&11) and then insert into hinge jamb (10) See Figures 4 & 5. Drive one clip all the way in and the other half way in. Set hinge jamb with clips in place over pin and drive protruding clip into place, which secures hinge jamb to hinge rail.



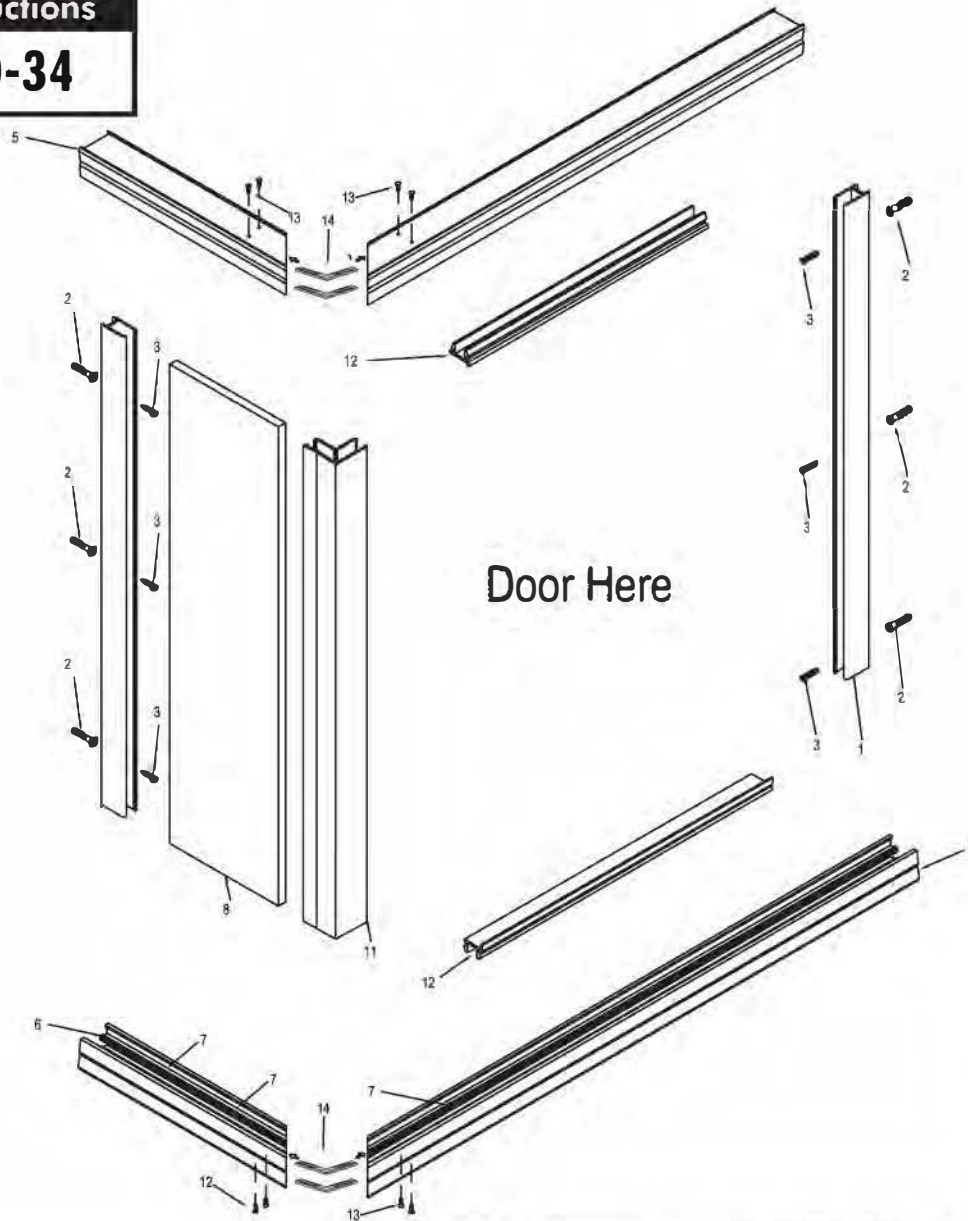
EUROVIEW

FRAMELESS GLASS ENCLOSURES

Installation Instructions

Model **MST-90-34**

Continuous Hinge Shower Enclosure



When ordering repair parts, please give the following information:

1. Model Number
2. Part Number
3. Part Description
4. Color

To install your shower enclosure, you will need the following:

- Level
- #31 Drill Bit
- Glazing Block
- Hack Saw
- 3/16" Carbide Drill Bit (for the tile walls)
- Phillips Screwdriver
- Silicone

*Note: Numbers 1, 2 & 3 come with door stall wrap

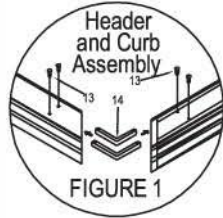
Description	Qty	Part No.	Picture
1. Wall Channels*	2	ZD-100B	
2. Wall Anchors*	6	ZV-935	
3. #8 x 1 1/4" SMS Screws*	6	#8 x 1 1/2	
4. #6 x 3/8 SMS Screws	10	#6 x 3/8 SMS	
5. Headers-Mitered 45 Degrees (Radius)	2	ZSS-2101	
6. Curbs-Mitered 45 Degrees	2	ZSS-3101	
7. Glass Support Blocks	2	ZV-902	
8. 90-Degree Glass Panel	1		
9. Vertical Seal Vinyl	4	ZV-909	
10. Horizontal Seal Vinyl	4	ZV-906	
11. 90-Degree Carner Post	1	ZSS-1104	
12. Header and Curb Fillers	2	ZSS-1102	
14. 90-Degree Header/Curb Clips	4	ZC-90	

MST-90-34

Installation Instructions

NOTE: Wall channels (1), wall anchors (2) and screws (3) that are used in stall shower installation are shipped with the shower door. Read both door and stall instructions before starting installation.

1. Add 1/2" to centerline measurement and cut curb to length.
2. Assemble curb with clips provided (Figure 1). Using holes provided in header and curb, secure using eight #6 X 3/8" SMS Screws (13). Set curb in place and mark location on curb leaving curb in place temporarily.
3. Set wall channels into curb and mark holes on wall. Remove wall channel and drill holes into wall using 3/16" drill. Place plastic screw anchors into holes.
4. Run a 1/4" bead of silicone on underside of curb, inside miter and where the ends of the curb is on the threshold.
5. Replace curb and silicone where miters are and where curb meets wall. Replace the wall channels and secure using #8 X 1 1/4" SMS.
6. Place glass support blocks in curb and set 90-degree panel glass in place, tacking at top with about 6" of the vertical seal vinyl. To adjust for wall conditions, adjust the panel in or out of the post, making sure that at least 1/4" remains in each channel.
7. Place corner post in place on other edge of glass and tack in place using vertical seal vinyl.
8. Check the chart for the door size, and obtain the range for the curb filler. If the distance between the wall channel and the corner post falls within this range then cut curb filler to size. If the measurement does not fall into the range, then a larger or smaller door is needed. Cut curb filler to size and snap in place with higher lip to outside of unit.



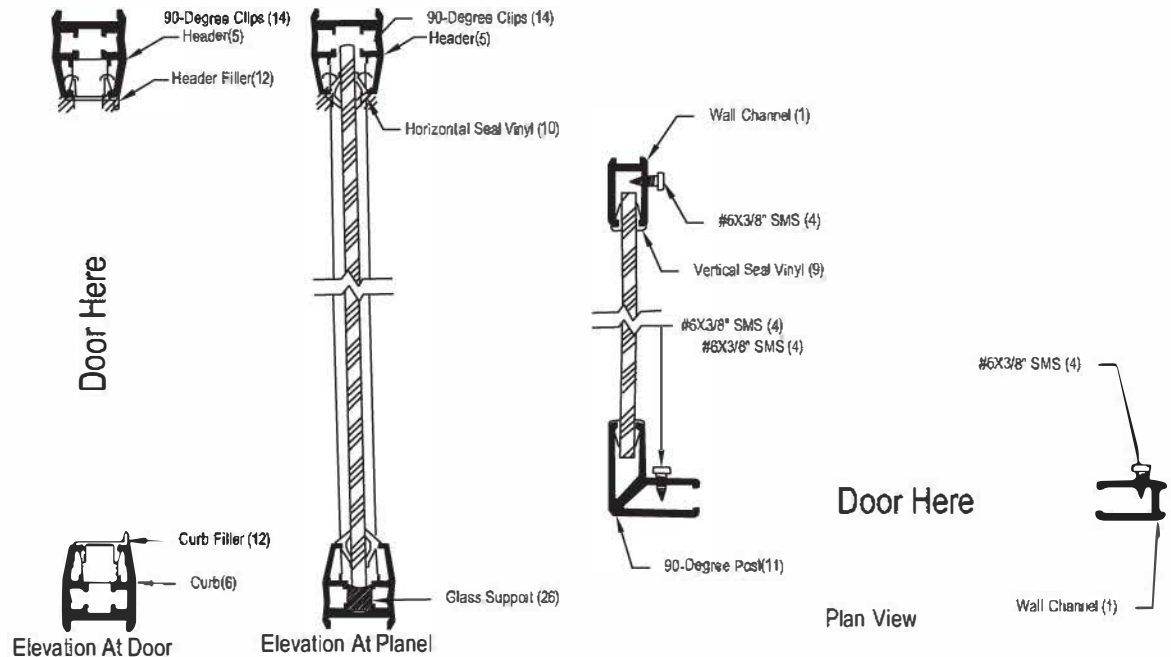
(Refer to Shower Door Installation Instructions.)

9. Snip excess vinyl from latch jamb, and clamp in place at top and bottom. Holding corner post, slip latch jamb into place.
10. Install 3" vinyl channel, centered on edge of glass and tap handle in place.
11. Set door (with hinge jamb attached) over wall channel. Door with hinge clip should be resting on curb filler.
12. Move the corner post and latch jamb in or out at the top of stationary panel until they align themselves with the glass.
13. DO NOT MOVE FROM THE POSITION OF THE STATIONARY PANEL GLASS IN STEP #12, because that determines the measurement of the header over the panel. Plumb the corner post to the door wall and measure from the corner post to the wall over the door. This determines the measurement of the header over the door. Add 1/4" to each of these measurements and cut header and assemble. Place header in place and recheck alignment. If the alignment is good secure to wall channels and corner post. Snap header filler in place with lip to outside of unit.
14. Complete the installation of the vertical and horizontal seal vinyl.
15. Recheck alignment. If anything moved, tape post to adjust. Adjust latch jamb for good fit. Use a #31 drill and #6 X 3/8" SMS to secure latch to post.
16. Adjust splash vinyl so that approximately 1/8" daylight space remains between bottom of splash vinyl and curb filler with the door in a closed position.
17. Install box catch on latch jamb.
18. Seal along inside and outside edge of metal and tile with silicone.

Header & Curb Fillers

Min. Filler=Door Size-1 7/8"
Max. Filler=Door Size-1 7/8"

Model Number	Min.	Max.
CD-20	18 1/8"	19 1/8"
CD-21	19 1/8"	20 1/8"
CD-22	20 1/8"	21 1/8"
CD-23	21 1/8"	22 1/8"
CD-24	22 1/8"	23 1/8"
CD-25	23 1/8"	24 1/8"
CD-26	24 1/8"	25 1/8"
CD-27	25 1/8"	26 1/8"
CD-28	26 1/8"	27 1/8"
CD-29	27 1/8"	28 1/8"
CD-30	28 1/8"	29 1/8"
CD-31	29 1/8"	30 1/8"
CD-32	30 1/8"	31 1/8"
CD-33	31 1/8"	32 1/8"
CD-34	32 1/8"	33 1/8"
CD-35	33 1/8"	34 1/8"
CD-36	34 1/8"	35 1/8"





FRAMELESS GLASS ENCLOSURES

Installation Instructions

Model **MST-90-34**

Buttress Application

