

EUROVIEW

FRAMELESS GLASS ENCLOSURES

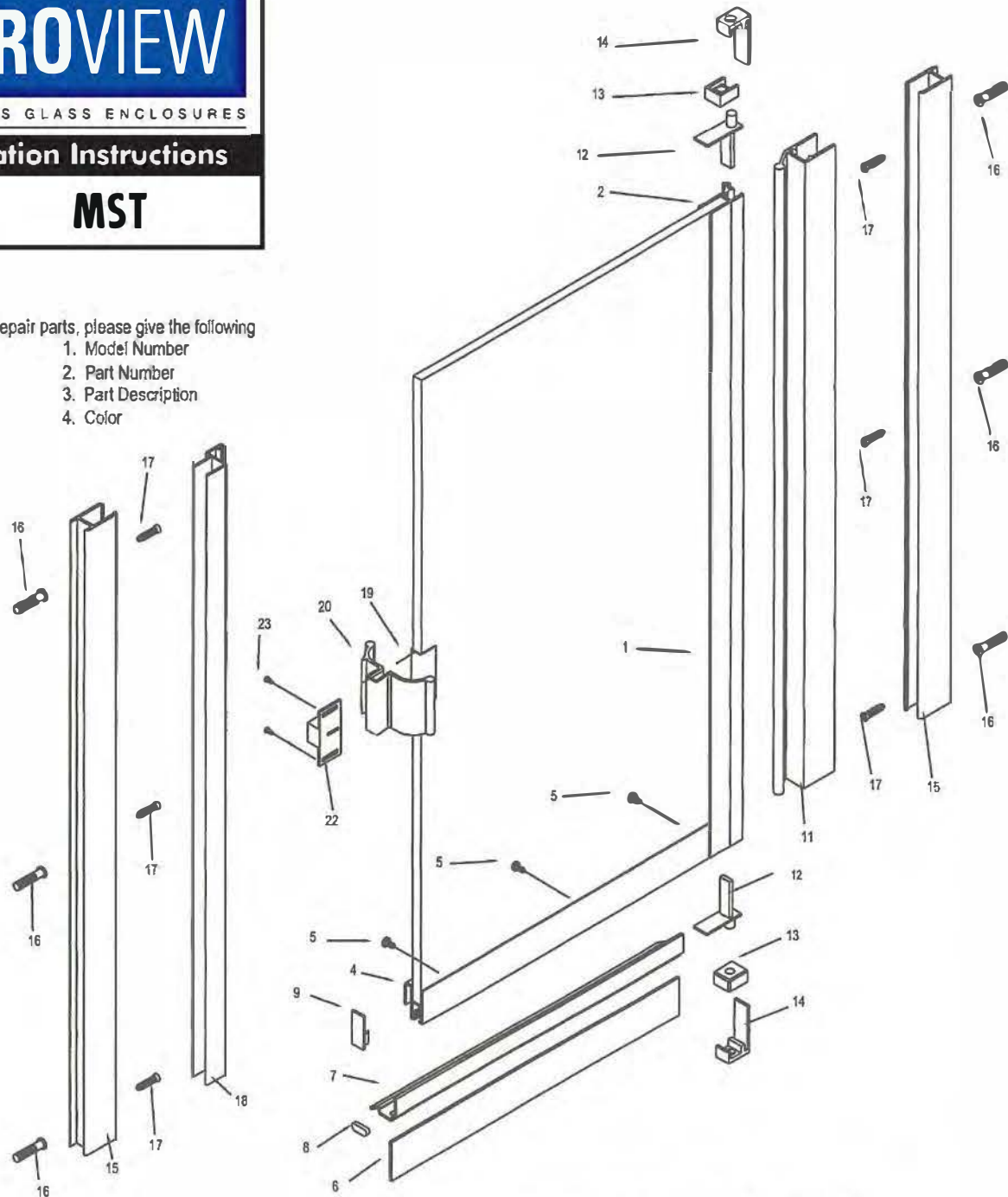
Installation Instructions

Model

MST

When ordering repair parts, please give the following information:

1. Model Number
2. Part Number
3. Part Description
4. Color



INSTALLATION INSTRUCTIONS MST

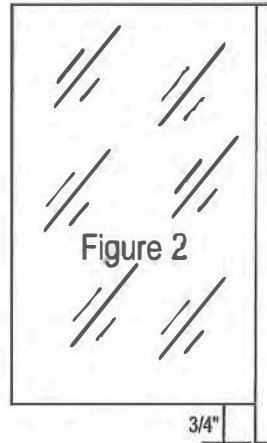
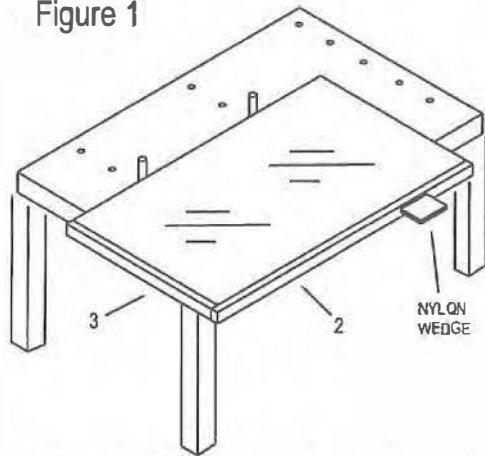
To assemble your shower enclosure, you will need the following:

- Phillips Screwdriver
- Silicone
- Hack Saw
- Glazing Block
- Hammer
- Side Cutters

Description	Qty	Part No.	Picture
1. Glazing Vinyl	1	ZV-925	
2. Hinge Rail with Vinyl	1	ZD-2503	
3. Glazing Vinyl	1	ZV-903	
4. Bottom Rail	1	ZD-2002	
5. #5 x 1/4" Screws	3	#6 x 1/4	
6. Splash Vinyl	1	ZV-904	
7. Drip Trough	1	ZD-1008	
8. Drip Plug	1	ZV-905	
9. Bottom Rail End Cap	1	ZV-940	
10. Hinge Jamb Sleeve Vinyl	1	ZV-955	
11. Hinge Jamb	1	ZD-2505	
12. Hinge Pins	2	ZV-945	
13. Hinge Bushings	2	ZD-1013	
14. Hinge Clips	2	ZD-1009	
15. Wall Channels	2	ZD-1006	
16. Wall Anchors	6	ZV-935	
17. #8 x 1 1/2" Screws	6	#8 x 1 1/2	
18. Latch Jamb w/ V-905 Vinyl	1	ZD-1004	
19. 3" Handle Vinyl	1	ZV-914	
20. 3" Door Pull			
21. #6 x 3/8" Screws	6	#6 x 3/8	
22. Box Catch			
23. 6-32 x 3/16" Screws			
24. #8 x 1 1/2" FH Screw	1	#8 x 1 1/2	
<u>Optional Mag Catch</u>			
20. 3" Mag Door Pull	1	MAG 4011.3	
22. Mag Channel	1		
23. #6 x 1/4	2	#6 x 1/4	

MST Assembly Instructions

Figure 1



Note: Assembly of a hinge-right door is shown in Figure 1. For a hinge-left door, place bottom rail assembly at opposite end.

1. Lay glass flat, smooth side up on assembly table (Figure 1) and bracing glass on far side as shown so hinge rail can be driven into place. Apply glazing channel (1) to one long, and short edge of glass.

2. Hold the hinge rail (2) in place against vinyl channel with 3/4" extending beyond end of glass, at bottom (see Figure 2). Using a block of hardwood and a heavy steel hammer, drive hinge rail into place on glass.

Note: The tolerances on glass, aluminum and vinyl may cause the hinge rail to fit too tight to drive on. In this case with a small paint brush (a small foam paint brush works well here) apply a very weak solution of liquid soap and water to the inside of the hinge rail. DO NOT use other types of lubricant or allow lubrication to get in between vinyl and glass because this may cause the glass to slide down or out of the hinge rail.

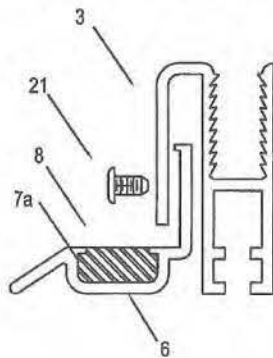
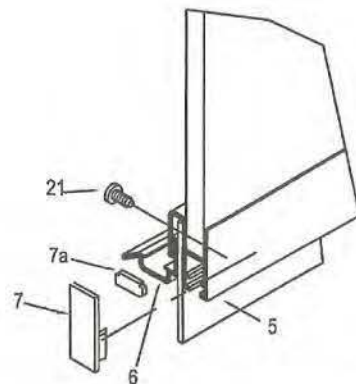
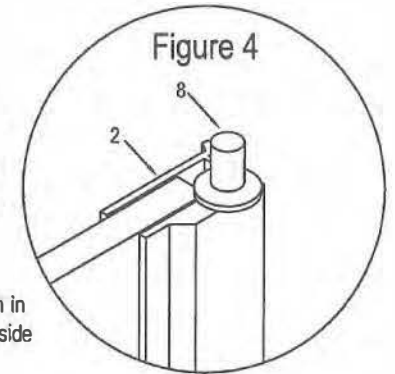


Figure 3



3. Hold bottom rail (3) in place against vinyl channel and drive into place on glass using the block of wood and hammer described above. Start three 6/32 x 3/16" screws (21) into bottom rail. Insert splash vinyl (5) and drip trough (6) into bottom rail (see Figure 3) and secure by tightening the three 6/32 x 3/16" screws (21). Keep end of drip trough 3/8" in from latch side of door. Insert drip plug (7) into end of drip channel opposite the hinge rail side.

Note: Drip trough should be installed so it is flush with notch in bottom rail (See Figure 3) and slopes down at the hinge rail side so water will drain back into shower when door is open.



4. Drive hinge pins, the end of pin with id. circle (8) into ends of hinge rail. Assemble hinge clips/bushings (9&11) and then insert into hinge jamb (10) See Figures 4 & 5. Drive one clip all the way in and the other half way in. Set hinge jamb with clips in place over pin and drive protruding clip into place, which secures hinge jamb to hinge rail.

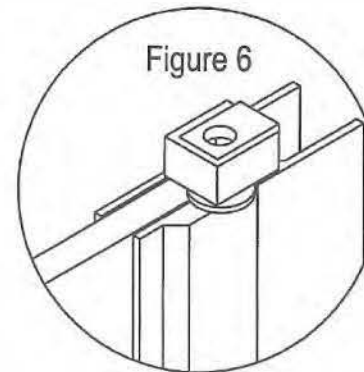


Figure 6

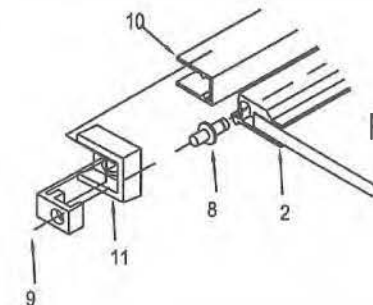
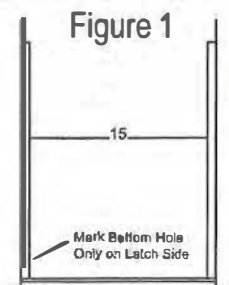


Figure 5

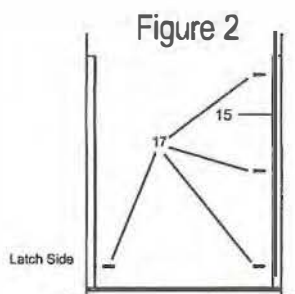
General: Well channels (15) are supplied 67 3/4" long. For door only installation (with no header or curb), cut with a hacksaw to 66 5/8" so they will not extend above the hinge and latch jambs.



1. Hold wall channels (15) in a plumb position and mark hole locations on the hinge side and bottom hole only on the latch side (See Figure 1). Drill holes in wall (using 3/16" carbide drill for tile walls). Insert wall anchors (16) into drilled holes.

2. Set wall channels in place and secure with #8 x 1 1/2" screws (17) using bottom screw only on latch side (See Figure 2).

Note: Door is adjustable up to 1" (1/2" at hinge jamb and 1/2" at latch jamb).



Example: A CD-24 door will fit an opening 24" to 25". The 1/2" adjustment should also be used to correct out-of-plumb conditions. For openings up to 24 1/2", set hinge jamb all the way over the wall channel and adjust latch jamb to meet door. For openings over 24 1/2" adjust hinge jamb out on wall channel to compensate for additional opening width.

3. Set latch jamb (18) in place over wall channel, but **Do NOT Secure**.

4. Set hinge jamb with door attached (2 & 11) in place over wall channel. Adjust laterally, plumb to fit opening. Mark three holes on wall channel through the predrilled holes on hinge jamb. Drill three holes with a #31 drill bit and secure with #6 x 3/8" SMS screws (21).

5. Apply 3" vinyl channel (19) to edge of glass, centered on handle side. Tap handle (20) in place over vinyl channel.

6. Align latch jamb (18) with edge of door glass and mark wall channel (15) location on wall. Remove latch jamb and mark holes on wall. Lean wall channel to one side to allow enough room for drill and drill the remaining two holes on wall. Insert wall anchors (16).

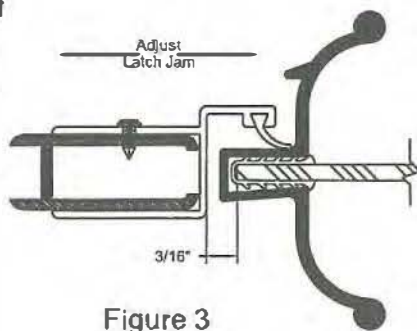


Figure 3

7. Replace wall channel and secure remaining two holes in wall channel using two #8 x 1 1/2" screws (17).

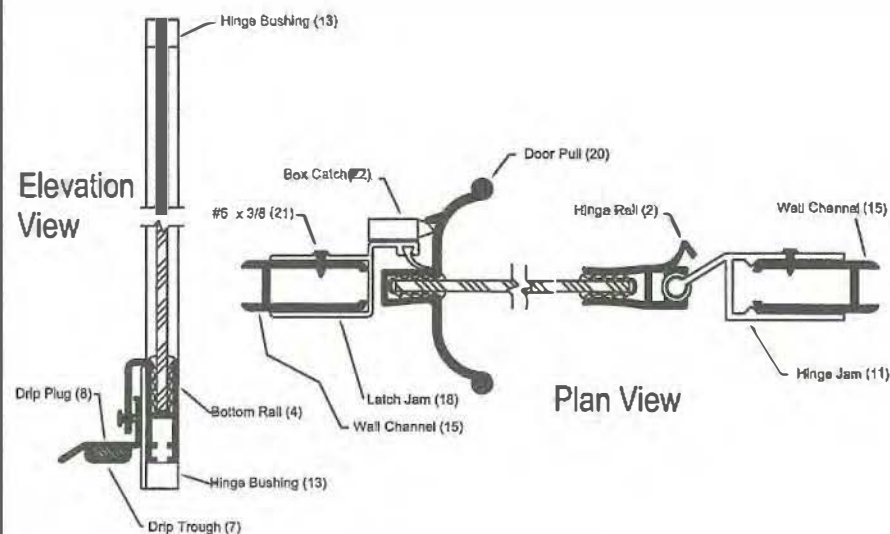
8. Replace latch jamb over wall channel. Close door and adjust latch jamb 3/6" from edge of glass (See Figure 3). Through the holes provided in the latch jamb, drill three #31 holes in wall channel. Secure latch jamb to wall channel with #6 x 3/8" SMS screws (21).

9. Set catch (22) in place on latch jamb (18) and secure with 6-32 x 3/16" screws (23).

10. Adjust drip trough (7), up at latch side of door and down at hinge side of door so water will drain into shower when door is opened. Adjust splash vinyl (6) to within 1/8" of curb.

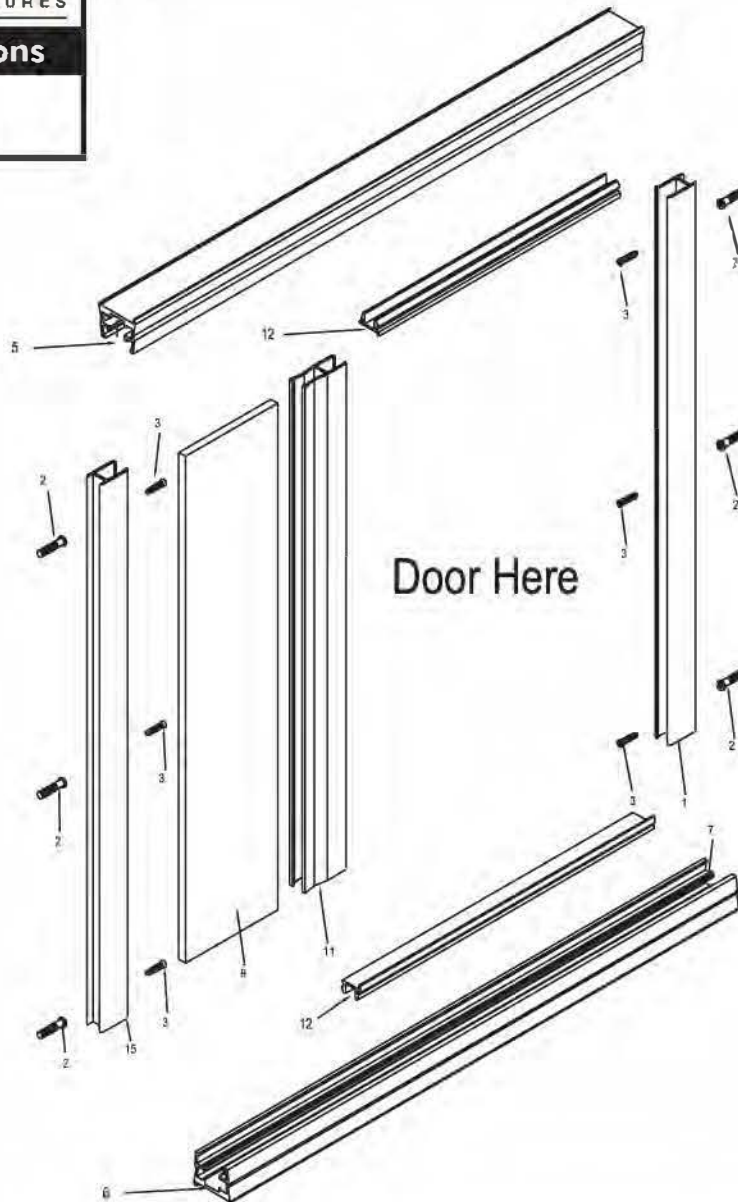
Note: Splash vinyl should not touch curb.

11. Clean area to where sealant is to be applied and run a bead of sealant full length inside and outside of each wall channel, where channel meets wall. Allow sealant to cure for 24 hours.



Installation Instructions

Model **MST-I**



When ordering repair parts, please give the following information:

1. Model Number
2. Part Number
3. Part Description
4. Color

To install your shower enclosure, you will need the following:

- Level
- #31 Drill Bit
- Glazing Block
- Hack Saw
- 3/16" Carbide Drill Bit (for the tile walls)
- Phillips Screwdriver
- Silicone

*Note: Numbers 1, 2 & 3 come with door stall wrap

Description	Qty	Part No.	Picture
1. Wall Channels*	2	ZD-1006	
2. Wall Anchors*	8	ZV-936	
3. #8 x 1 1/4" Screws*	6	#8 x 1 1/4"	
4. #6 x 3/8 Screws	8	#6 X 3/8"	
5. Headers	1	ZSS-3101	
6. Curbs	1	ZSS-3101	
7. Glass Support Blocks	1	ZV-902	
8. In-Line Glass Panel	1		
9. Vertical Seal Vinyl	4	ZV-909	
10. Horizontal Seal Vinyl	4	ZV-906	
11. In-Line Post	1	ZSS-1103	
12. Header and Curb Fillers	2	ZSS-1102	

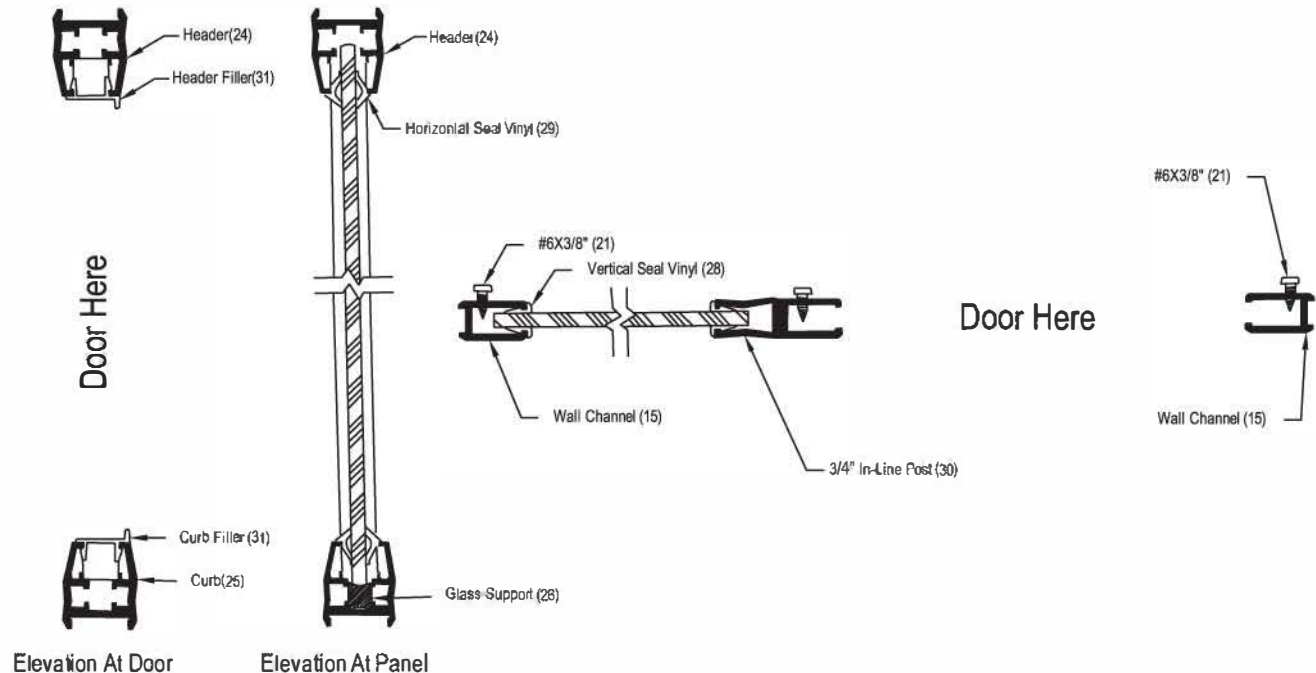
NOTE: Wall channels (1), wall anchors (2) and screws (3) that are used in stall shower installation, are shipped with the shower door. Read both door and stall instructions before starting installation.

1. Cut curb (6) to desired length. Place parallel with front of threshold and mark location with a pencil.
2. Place wall channel (1) into curb on stationary panel side and mark through holes provided in wall channel.
3. Place other wall channel (1) into curb on door side and mark through bottom hole only, then remove wall channel.
4. Drill marked holes using a 3/16" bit, then plug with plastic wall anchors (2).
5. Run a 1/4" bead of silicone on underside of curb and fill both ends of curb with silicone. Also silicone where ends of curb will sit on the threshold.
6. Set curb back in place with weep holes to inside of unit. Place wall channels (1) back into curb and secure using #8 X 1 1/4" (3)
7. Place glass support block in curb on fixed panel side. Place fixed panel in curb, moving it all the way into the wall channel. Tack in place at the top of the panel with vertical seal vinyl (9).
8. Cut header (5) to size and place in position.
9. Find minimum measurement for curb filler on chart, and place the inline post that distance away from door side wall channel. Check the plumb of the wall on the door side and note how much the wall is out. If the wall leans to the center, then add this length to the curb filler, or if it is leaning away from center, add it to the header filler. Never exceed the minimum or maximum measurements for the curb filler for the door size, as noted in chart. Move the inline post so the measurements for the header and curb fillers are now corrected for wall conditions. This should leave the inline post in a plum condition. Cut filler to size and snap in place with 1/8" lip to outside.
10. Now check that the daylight opening between the inline post and the fixed panel wall channel is no larger than panel size-(1/2") and smaller than panel size -(1 1/2"). If daylight opening does not fall with in these tolerances, then adjust inline post to correct. Remember that the min. and max. of the curb fillers (or daylight opening) must not be exceeded.

(Refer to Shower Door Installation Instructions.)

11. Snip excess vinyl from latch jamb, and crimp in place at top and bottom. Holding inline post, slip latch jamb into place.
12. Install 3" vinyl channel, centered vertically on edge of glass and tap handle in place.
13. Set door (with hinge jamb attached) over door wall channel. The hinge clip on the door should be sitting on the curb filler. Pull door to latch jamb, aligning them by moving hinge side of door back and forth at top where you are holding it. This movement moves wall channel and header too. After aligning glass and latch jamb, hold wall channel and mark along inside edge of wall channel with a pencil.
14. Remove door and place wall channel back in position on line, and mark holes on wall. Drill holes, insert anchors, then secure wall channel with #8 X 1 1/4".
15. Reinsert door with hinge jamb over wall channel. Plumb and adjust as you had previously decided to do using length of header and curb filler for adjustment. Door in final position should have 3/16" margin from edge of glass to latch jamb. After locating this position, secure hinge jamb to wall channel by drilling #31 hole through holes provided and secure with #6 X 3/8".
16. Secure In-Line post (11) to curb (6) using the same system.
17. Parallel header with top of door by raising header on wall channel at either side and secure in-line post and wall channels to header on inside using #6 3/8".
18. Make final adjustments with latch jamb and secure to in-line post with #6 X 3/8" (4)
19. Finish installing the vertical seal vinyl (9) in wall channel and then in the in-line post. Also install horizontal seal vinyl (10) at bottom and top of stationary panel, both inside and out.
20. Adjust splash vinyl on bottom of door so that approximately 1/8" daylight space remains between bottom of splash vinyl and curb filler (12) with the door in the closed position.
21. Install magnet on to latch jamb.
22. Seal along inside and outside edge of metal and tile with silicone.

Header & Curb Fillers		
Min. Filler=Door Size-1 7/8"		
Max. Filler=Door Size-1 7/8"		
Model Number	Min.	Max.
CD-20	18 1/8"	19 1/8"
CD-21	19 1/8"	20 1/8"
CD-22	20 1/8"	21 1/8"
CD-23	21 1/8"	22 1/8"
CD-24	22 1/8"	23 1/8"
CD-25	23 1/8"	24 1/8"
CD-26	24 1/8"	25 1/8"
CD-27	25 1/8"	26 1/8"
CD-28	26 1/8"	27 1/8"
CD-29	27 1/8"	28 1/8"
CD-30	28 1/8"	29 1/8"
CD-31	29 1/8"	30 1/8"
CD-32	30 1/8"	31 1/8"
CD-33	31 1/8"	32 1/8"
CD-34	32 1/8"	33 1/8"
CD-35	33 1/8"	34 1/8"
CD-36	34 1/8"	35 1/8"



EUROVIEW

FRAMELESS GLASS ENCLOSURES

Installation Instructions

Model

MST-I

**Buttress
Application**

